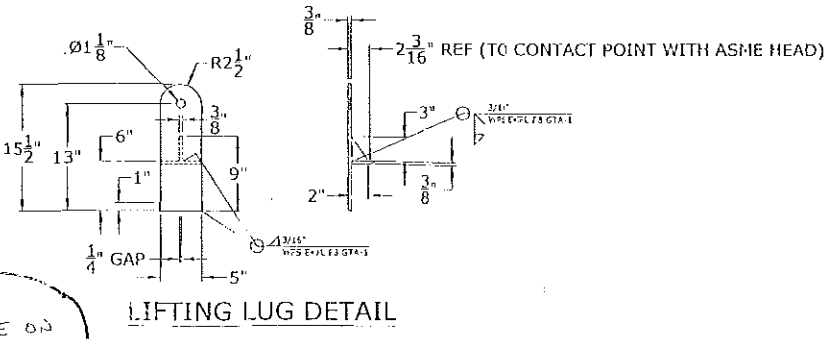


| | | |
|----|--|-----------------------|
| L2 | 2" IFSO 150# FLANGE SCHED 40 | LEVEL SWITCH |
| H | 12" X 16" MAINWAY W/ HINGE & PROX SWITCH | MAINWAY |
| U1 | 2" FFWH 150# FLANGE SCHED 40 | OUTLET W/ FLUSH VALVE |
| U2 | 2" IFSO 150# FLANGE SCHED 40 | OVERFLOW CONNECTION |
| Z | 2" IFSO 150# FLANGE SCHED 40 | DI WATER INLET |

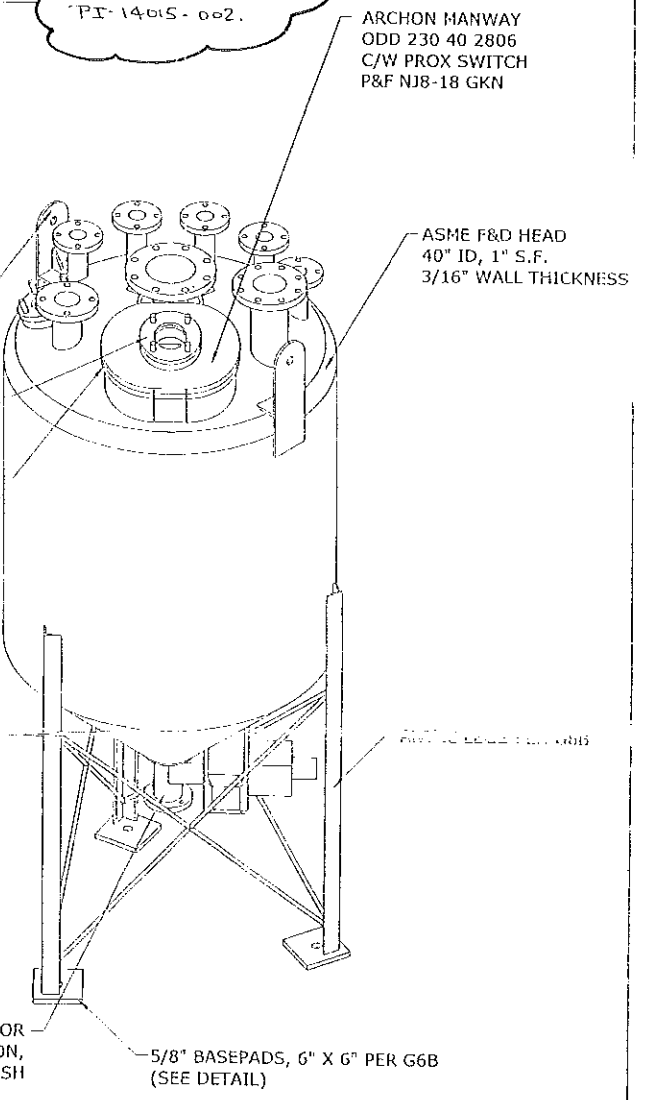
| | |
|---------------------|---|
| DESIGN VESSEL FULL: | 100% FULL OF WATER |
| CODE REFERENCE: | ASME CODE, SEC. VIII, DIV 1, 2007 EDITION, 2008a ADD. |
| CODE LABEL REQ D: | NO |
| WEIGHT: | EMPTY: 800 LB FULL CAP.: 3200 LB FULL OF WATER |

NOTE: NO POST WELD HEAT TREATMENTS, OR IMPACT TESTING REQUIRED

| | | | |
|----------|------------|----|------|
| REVISION | DATE | BY | CHKD |
| 1 | 09/21/2009 | SD | SD |
| 2 | 09/21/2009 | SD | SD |
| 3 | 09/21/2009 | SD | SD |

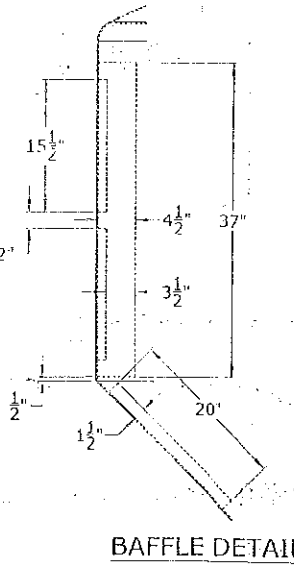
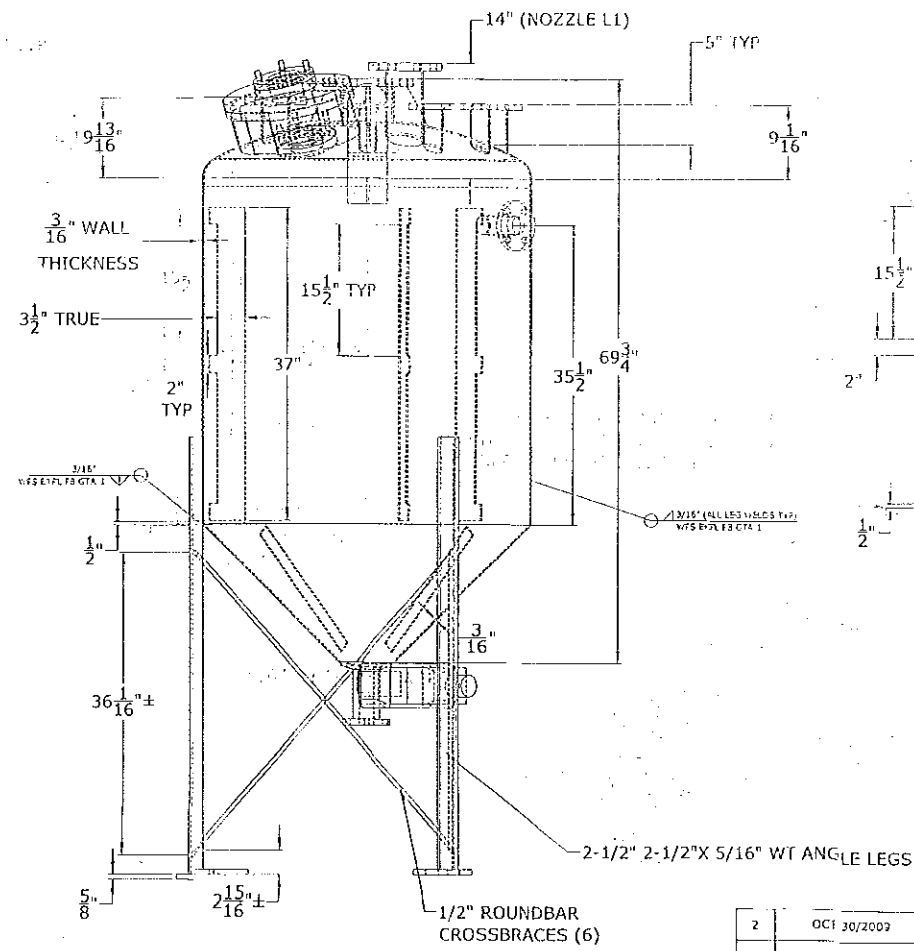
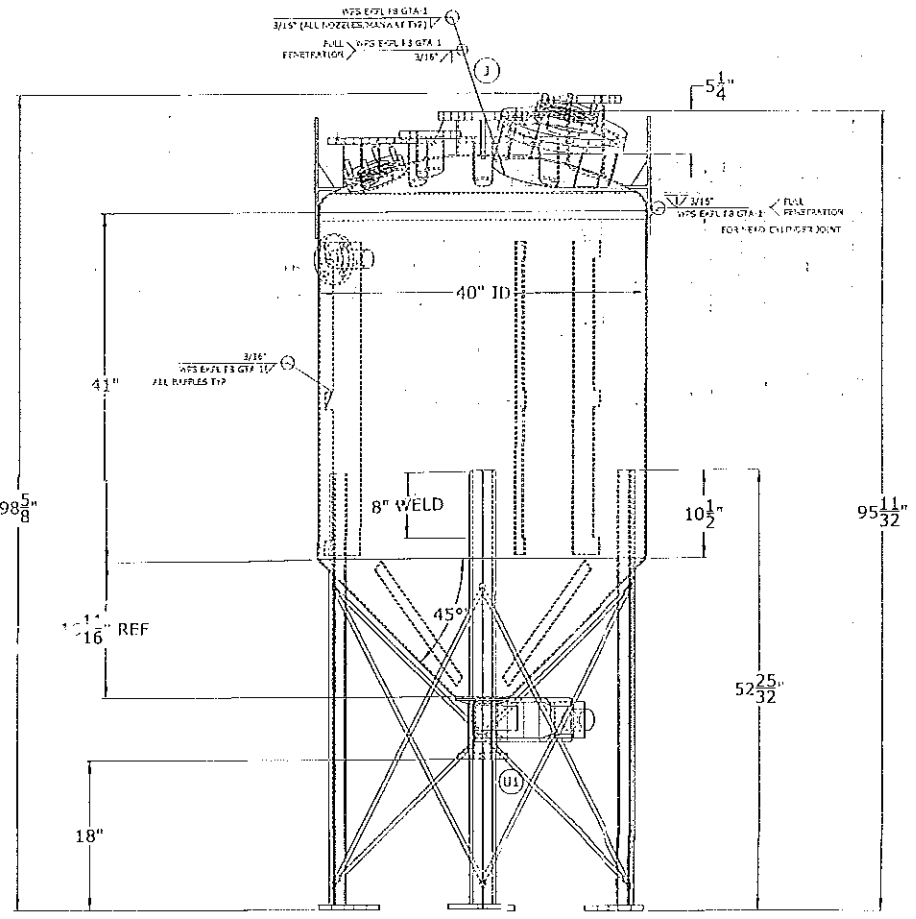


PLACE NAMEPLATE ON SHELL @ 135°



SAME COMMENTS AS SHOWN ON PI-14015-001.

BPP 362224
SHEET # 3



PBM FLUSH VALVE WITH ACTUATOR FTH-H5L-G-14A, 60PSI ACTUATION, SPRING RETURN, 20 RA ID POLISH

| | |
|-----------------|------------|
| BEAK - DELAWARE | |
| DESIGNED BY | SD |
| CHECKED BY | SD |
| DATE | 09/21/2009 |

| | |
|---------------------------------------|----------------|
| TOLERANCES UNLESS OTHERWISE SPECIFIED | |
| MACHINING: | X +/- 0.1" |
| | XX +/- 0.05" |
| | XXX +/- 0.005" |
| WELDMENTS AND FABRICATION: | |
| | <24 +/- 1/16" |
| | >24 +/- 1/8" |
| FINISH: | |
| | 47-0.5 DEGREES |
| | 125 MICRONS |

Pure Ingenuity
Equipment Design and Fabrication Group
665 DEVELOPMENT DR KINGSTON, OH 47146
T: 41.613.399.3335 F: 41.613.384.7045 www.pureingenuity.com

| REV. NO. | DATE | BY | CHKD | DESCRIPTION |
|----------|-------------|----|------|--|
| 2 | OCT 30/2009 | SD | SD | LEGS, CROSS-BRACES, CORRECTED VALVE, BODY/NOZZLE HEIGHTS |
| 1 | OCT 1/2009 | SD | SD | NOZZLE L1 CHANGED TO 4" 150#, 15" ABOVE TANGENT LINE |
| 0 | SEP 21/2009 | SD | SD | FOR CUSTOMER REVIEW |
| | DRAWN | | | |
| | CHECKED | | | |

| | |
|--------|--------------|
| TITLE: | PI-14015-003 |
| SCALE: | 1:12 |
| SHEET: | 2 |